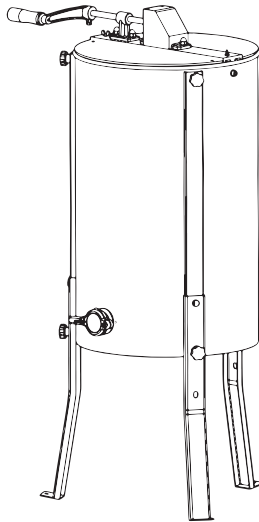




Two Frame Stainless Steel Honey Extractor Instruction Manual



SKU: BEE-V004B



Scan the QR code with your mobile device or follow the link for helpful videos and specifications related to this product.

<https://vivo-us.com/products/bee-v004b>

GET IN TOUCH | Monday-Friday from 7:00am-7:00pm CST



help@vivo-us.com



www.vivo-us.com
Chat live with an agent!



309-278-5303



WARNING: IMPORTANT SAFETY INFORMATION

READ AND FOLLOW ALL SAFETY REQUIREMENTS

KEEP THIS MANUAL IN A SAFE AND DRY PLACE FOR FUTURE REFERENCE

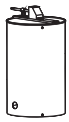
If you do not understand these directions, or if you have any doubts about the safety of the installation, please call a qualified technician. Check carefully to make sure there are no missing or defective parts. Improper installation may cause damage or serious injury. Do not use this product for any purpose that is not explicitly specified in this manual and do not exceed weight capacity. We cannot be liable for damage or injury caused by improper mounting, incorrect assembly or inappropriate use.

PREPARATION

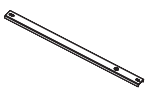
1. After carefully removing the machine from the packing carton, remove all protective film and clean the honey extractor thoroughly with mild soap and water BEFORE first use.
2. The honey extractor should be placed on a dry, flat stable surface.

CAUTION: SHARP EDGES

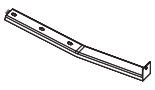
PACKAGE CONTENTS



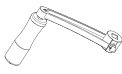
A (x1)
Drum



B (x3)
Upper Leg



C (x3)
Lower Leg



D (x1)
Handle



E (x2)
Lid



F (x1)
Honey Gate



S-A (x4)
M8x25 Hex Head Screw



S-B (x4)
M8x20 Hex Head Screw



S-C (x4)
M8x16 Hex Head Screw



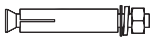
S-D (x10)
M8 Lock Washer



S-E (x10)
M8 Washer



S-F (x6)
M8 Plastic Knob



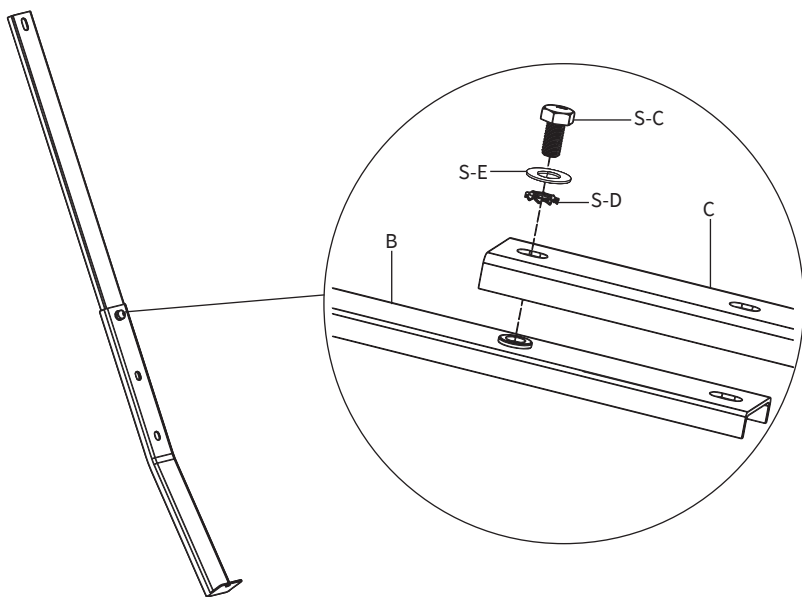
S-G (x3)
Concrete Anchor

NOTE: Not all hardware will be used.

ASSEMBLY STEPS

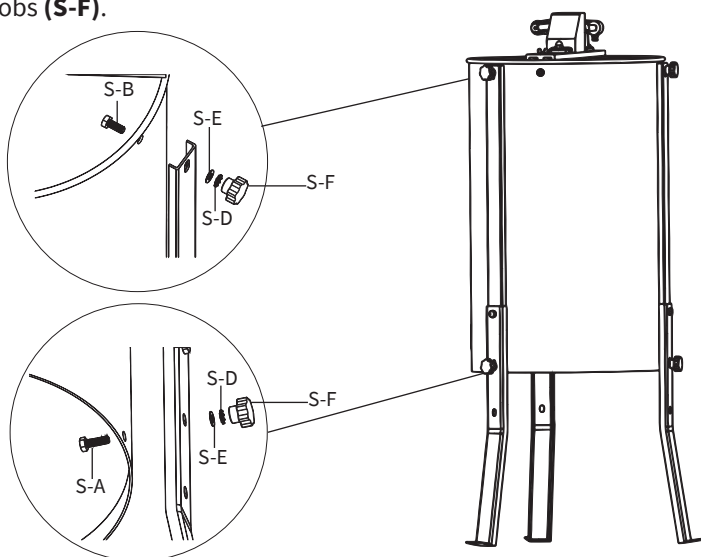
STEP 1

Assemble Upper Legs (**B**) and Lower Legs (**C**) in one of the two height settings using M8x16 Hex Head Screws (**S-C**) M8 Washers (**S-E**) and M8 Lock Washers (**S-D**).



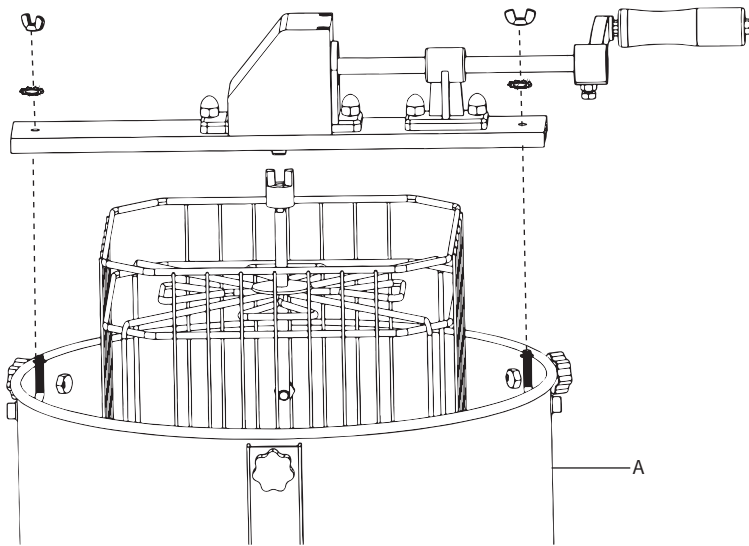
STEP 2

Mount leg assemblies to Drum (**A**) using M8x25 Hex Head Screws (**S-A**) and M8x20 Hex Head Screws (**S-B**) with M8 Washers (**S-E**), M8 Lock Washers (**S-D**) and M8 Plastic Knobs (**S-F**).



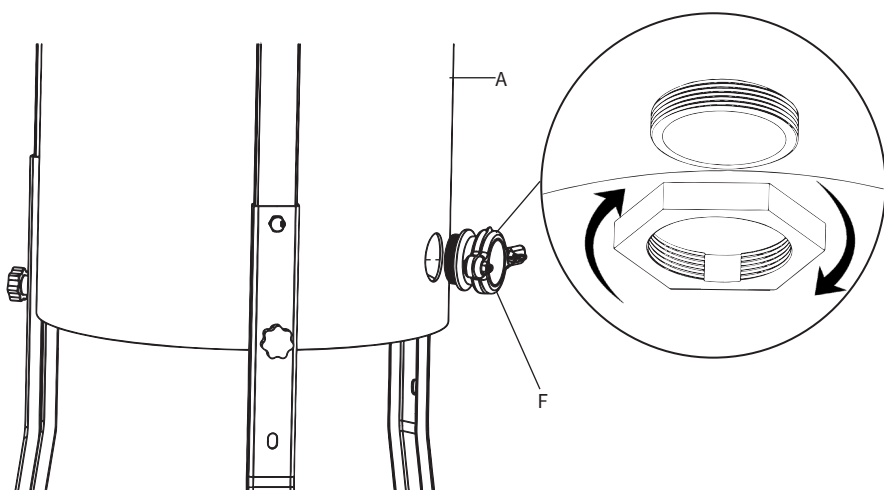
STEP 3

Carefully cut the zipties securing the basket to the upper crossbar in Drum **(A)**. Remove the wingnuts from the top of the crossbar and carefully remove the crossbar and basket from Drum **(A)**.



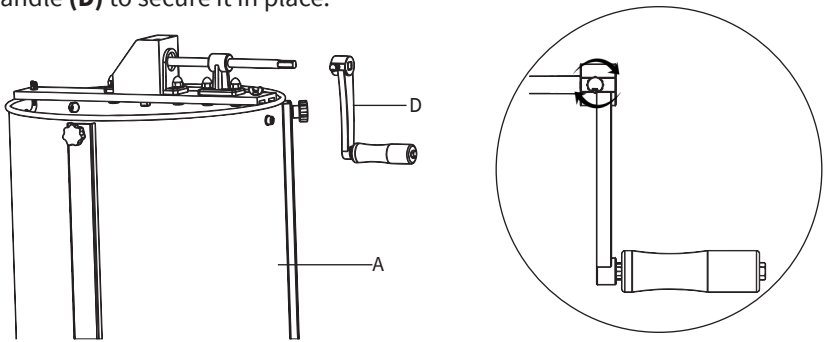
STEP 4

Install Honey Gate **(F)** in Drum **(A)** and reinstall the basket and crossbar to Drum **(A)**.



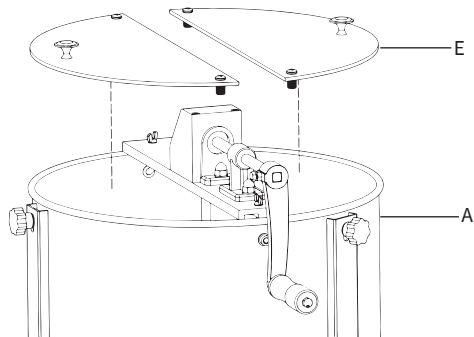
STEP 5

Slide Handle **(D)** onto the shaft on Drum **(A)**. Tighten the security screw and nut on Handle **(D)** to secure it in place.



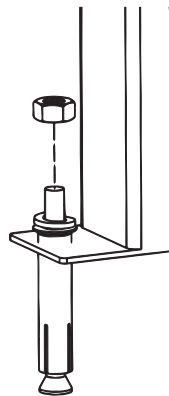
STEP 6

Place Lids **(E)** on top of Drum **(A)**.



STEP 7 (Optional)

For added security, Concrete Anchors **(S-G)** can be used to secure the extractor to the floor.



OPERATING INSTRUCTIONS

- STEP 1** Place honey frames in extractor basket. Load both sides to keep extractor balanced as this will reduce any possible shaking.
- STEP 2** Place lids on extractor and begin turning handle to extract honey.
- STEP 3** Once the frames have been emptied on one side, remove the frames, turn the frames around, and place them back in the extractor. Repeat step 2, then remove the frames from the extractor.
- STEP 4** With the drain positioned over a bucket or other container, open the honey gate to begin draining honey. Tip the extractor forward to drain as much honey as possible.



WARNING: KEEP HANDS CLEAR OF MOVING PARTS TO REDUCE RISK OF INJURY



DISASSEMBLY

To disassemble the extractor, remove the two cap nuts on the top of the extractor (one on each side), then pull the top brace up and off. The basket can then be lifted out.

A steel ball bearing rests below the basket shaft to improve rotation. Set this aside in a safe place (such as a cup) so it does not roll away and become lost.

QUICK CLEANING

Option 1: Rinse extractor out with cold water from a hose. If available, a pressure washer is very effective. Empty excess water to prevent possible surface rust.

Option 2: Place open extractor next to hive. Bees will clean it out and use the materials.

IN-DEPTH CLEANING

Disassemble extractor (see Disassembly instructions). Using mild dish soap and warm water, scrub drum and basket clean. Completely rinse the parts and dry with a soft cloth. Reassemble the extractor when dry.

CARE

- When not in use, store the extractor in a dry place. Although stainless steel is highly resistant to rust and corrosion, light surface rust can form in wet conditions.
- If surface rust forms, clean with a light abrasive to remove rust.
- If the extractor begins making squeaking noises, lightly lubricate all bearings with a food safe grease or oil. Wipe away any excess.
- If the roller bearing in the crank shaft support block does not turn freely, lubricate with a light grease (such as white lithium) or oil.
- The gearbox is permanently sealed and requires no maintenance.

WARRANTY

We offer a ONE YEAR warranty for this product. If you have any problems with the machine, please contact us directly. We have a 30 Day Return Policy.



Open **Monday - Friday 7:00am - 7:00pm** CST,
our dedicated support team can offer immediate assistance with rapid response times. If any parts are received damaged or defective, please contact us. We are happy to replace parts to ensure you have a fully functioning product.



309-278-5303

AVG. RESOLUTION TIME (*within office hrs*): **5M 4S**



www.vivo-us.com
Chat live with an agent!

AVG. RESOLUTION TIME (*within office hrs*): **< 15 M**



help@vivo-us.com

AVG. RESPONSE TIME (*within office hrs*): **1HR 8M**

- 23% within < 15m
- 38% within < 30m
- 61% within < 1hr
- 83% within < 2hr
- 92% within < 3hr